

TensaBarrier® Retractable Belt System

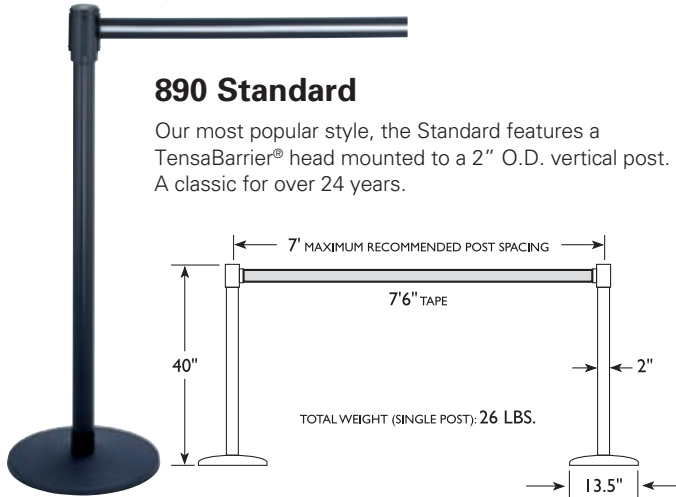
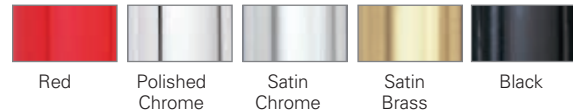
There's no question about it. For a quarter century Lawrence has been the uncontested world leader in retractable belt systems for crowd management. The TensaBarrier® line of attractive, functional guidance systems is the most extensive in the industry. Offering more styles, more materials and more options than anyone else. And while others may try to copy their designs and innovations, no one duplicates the quality and attention to detail that is apparent in every Lawrence TensaBarrier® System.



Belt Colour: Add suffix # to Cat. # for belt colour preference.
Example: Cat. # L89-601S-33-21



Metal Finishes



890 Standard

Our most popular style, the Standard features a TensaBarrier® head mounted to a 2" O.D. vertical post. A classic for over 24 years.

Tensabarriers® Retractable Belt System

890 Standard Post	Post/Head Colour	Price
L89-001	Polished Chrome	\$285.00
L89-002	Red	285.00
L89-003	Black	285.00
L89-004	Bronze Anodized	325.00
L89-005	Satin Chrome	285.00
L89-006	Satin Brass	375.00



Plastic Portable Post

Give an economical alternative for more utilitarian applications. All plastic construction for indoor/outdoor use. Base may be filled with sand for added stability. 2.5 lbs. 39" H. **Please specify colour:** Black (-BLK) or White (-WH).

Cat. #	1+	6+
L79-927	\$75.00	\$72.00 ea.



Plastic Chain

Durable plastic chain for light-duty, decorative or outdoor use. Connects to post or wall plate permanently with connecting "S" hook. **Please specify colour:** Black (-BLK) or White (-WH).

Cat. #	Description	Price
L79-924	Plastic Chain	\$1.95 ft.
L79-925	Plastic Connecting Link	1.75 ea.
L79-926	Plastic 'S' Hook	1.75 ea.



Model 896 7-1/2-Foot Wall Mounted Unit



For surface mounting, with SlowRetract™ belt cassette. Centre tape exit is standard. Left or right exit on request. Spans 7-1/2'. Mounting plate is 2-3/4"H x 4-1/8"W. **Please specify tape colour (see above).**

Standard Mount	Finish	Price
L89-601	Polished Chrome	\$126.00
L89-602	Red	120.00
L89-603	Black	120.00
L89-604	Satin Brass	165.00
L89-605	Satin Chrome	126.00

Clear Acrylic Announcement Display



Easily holds your inserted 8-1/2" x 11" paper. Includes: 899-B/1701 Brackets. **Indicate colour of post being used.**

L89-606	\$139.00
---------	----------



Model 898 Wall Receiver

Automatic locking feature, used to connect belt to a wall.

L89-608	\$16.50
---------	---------

For signage and accessories please visit www.carrmclean.ca or contact customer service.

